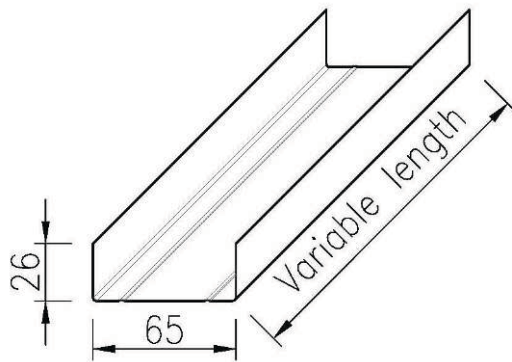




STUD & CHANNEL

RPFL GALVANISED CHANNEL



Base Material:

Steel Grade: G250

Compliance to: AS 1397:2001

Dimensional Tolerance:

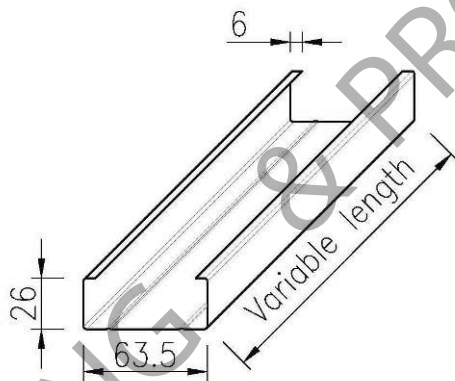
+/- 1mm

Mass:

0.113 kg/m

BMT: 0.55

RPFL GALVANISED STUD



Base Material:

Steel Grade: G250

Compliance to: AS 1397:2001

Dimensional Tolerance:

+/- 1mm

Mass:

0.139 kg/m

BMT: 0.55

RPFL Studs and Channel can be used to construct internal drywall partitions up to 4m height, depending on the application.

RPFL Studs and Channel provide, durable, non combustible, light weight framing systems that can also achieve a variety of acoustic and fire performance ratings, when installed and lined in accordance with the tested systems.

Steel supplied by:

